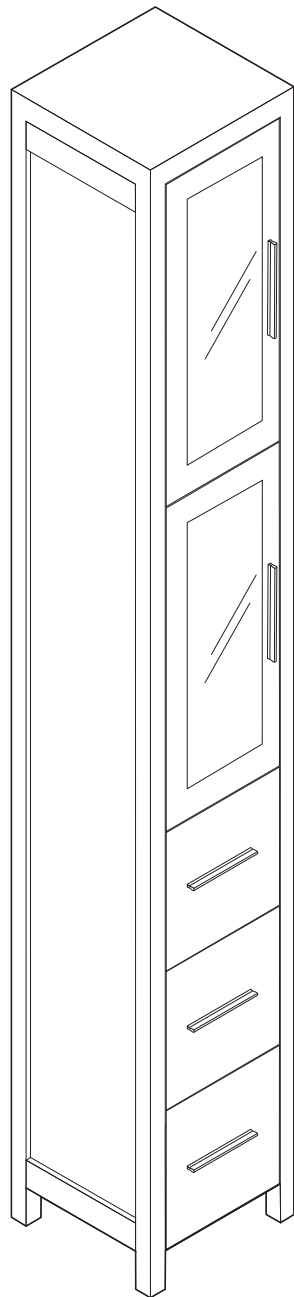
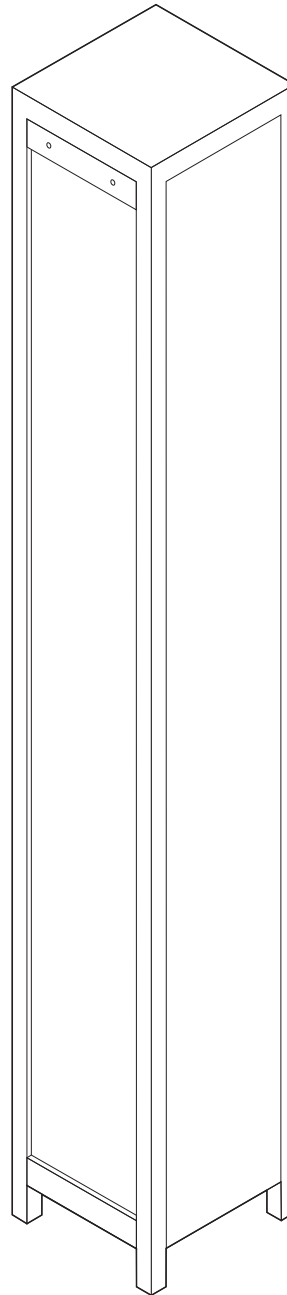




FST6260
TORINO Linen Side Cabinet
INSTALLATION GUIDE



Linen Cabinet
front view



Linen Cabinet
rear view



FST6260

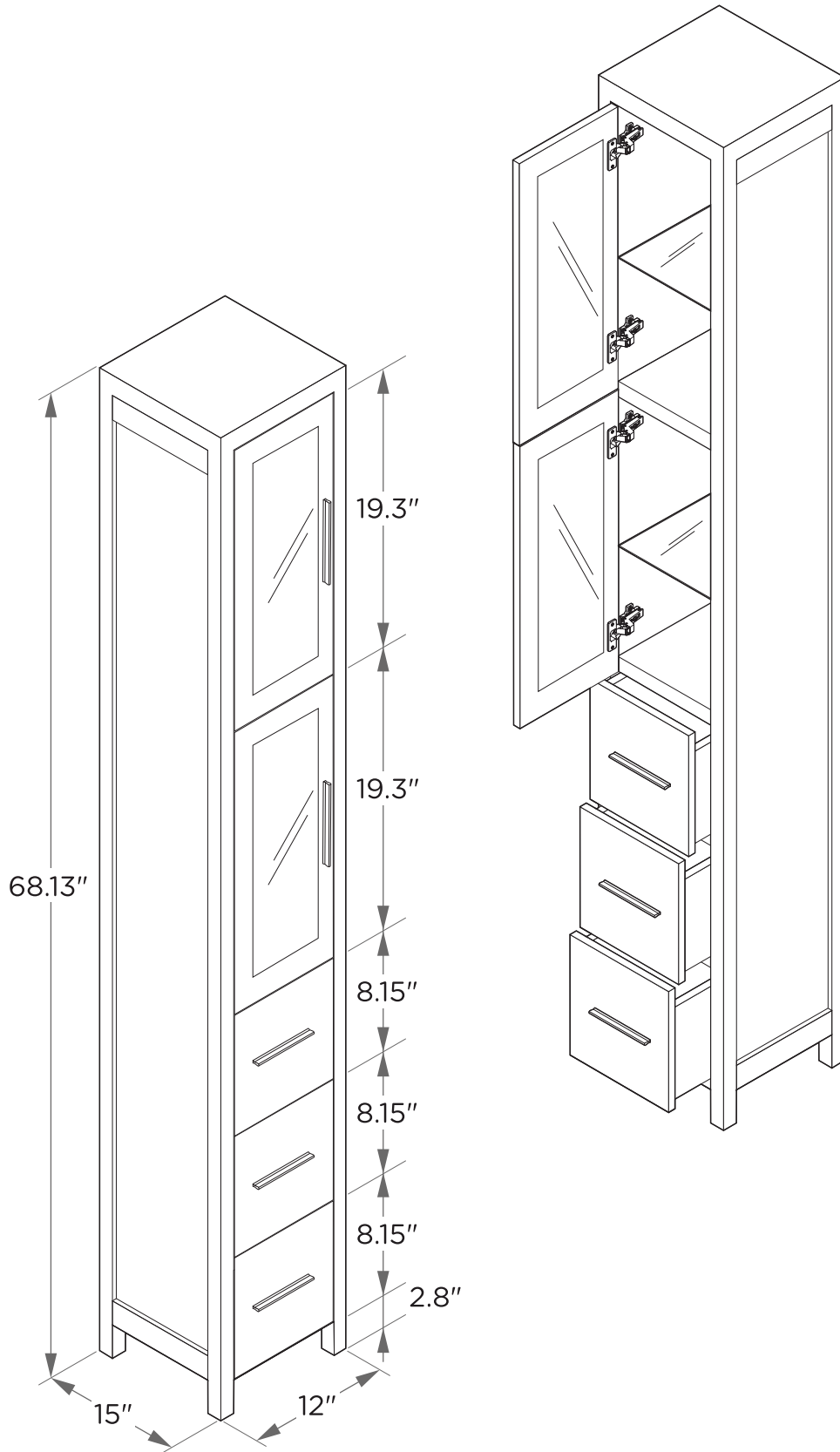
TORINO Linen Side Cabinet

INSTALLATION GUIDE



FRESCA®

DIMENSIONS



NOTE: ALL DIMENSIONS & SPECIFICATIONS ARE APPROXIMATE AND SUBJECT TO CHANGE WITHOUT NOTICE.



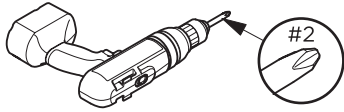
FST6260

TORINO

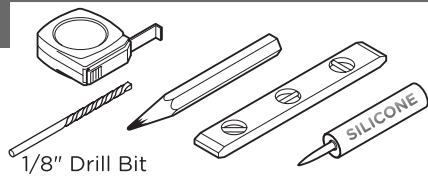
INSTALLATION GUIDE

PAGE 2

TOOLS FOR ASSEMBLY



#2



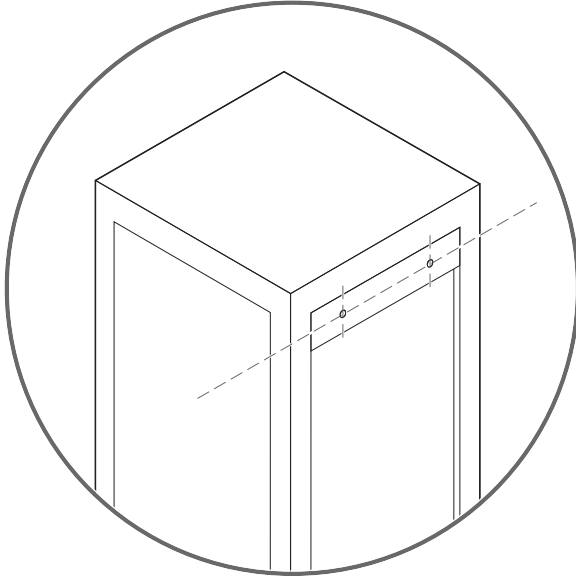
1/8" Drill Bit

SIDE CABINET INSTALLATION

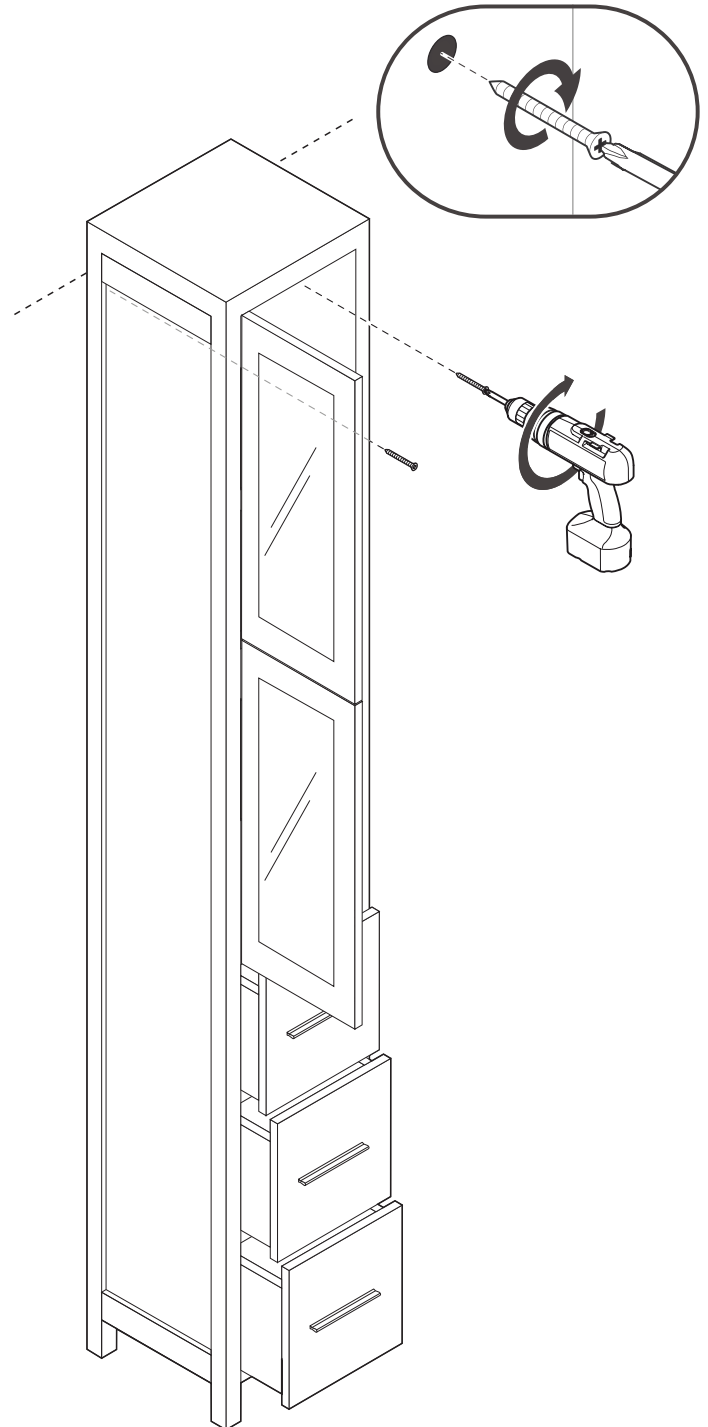
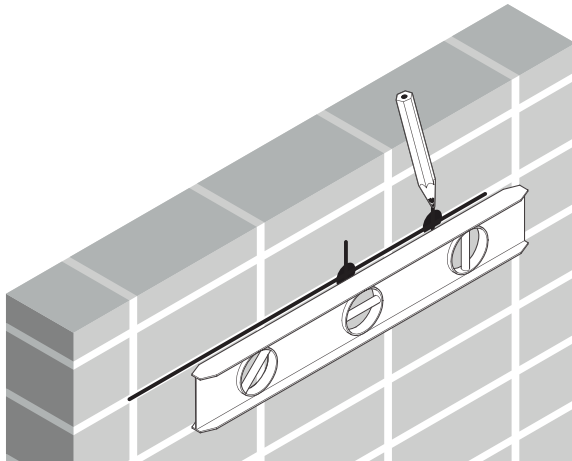
2

Attach side cabinet to the wall with screws using a drill.

- 1 Mark the wall with a pencil using a level for the mounting position.



Linen Side Cabinet
rear view



NOTE:

Consult an expert for the proper screws/bolts to use when attaching to various constructions. Screws provided do not attach to all wall construction types. Anchors are not required if brackets are installed in the stud.